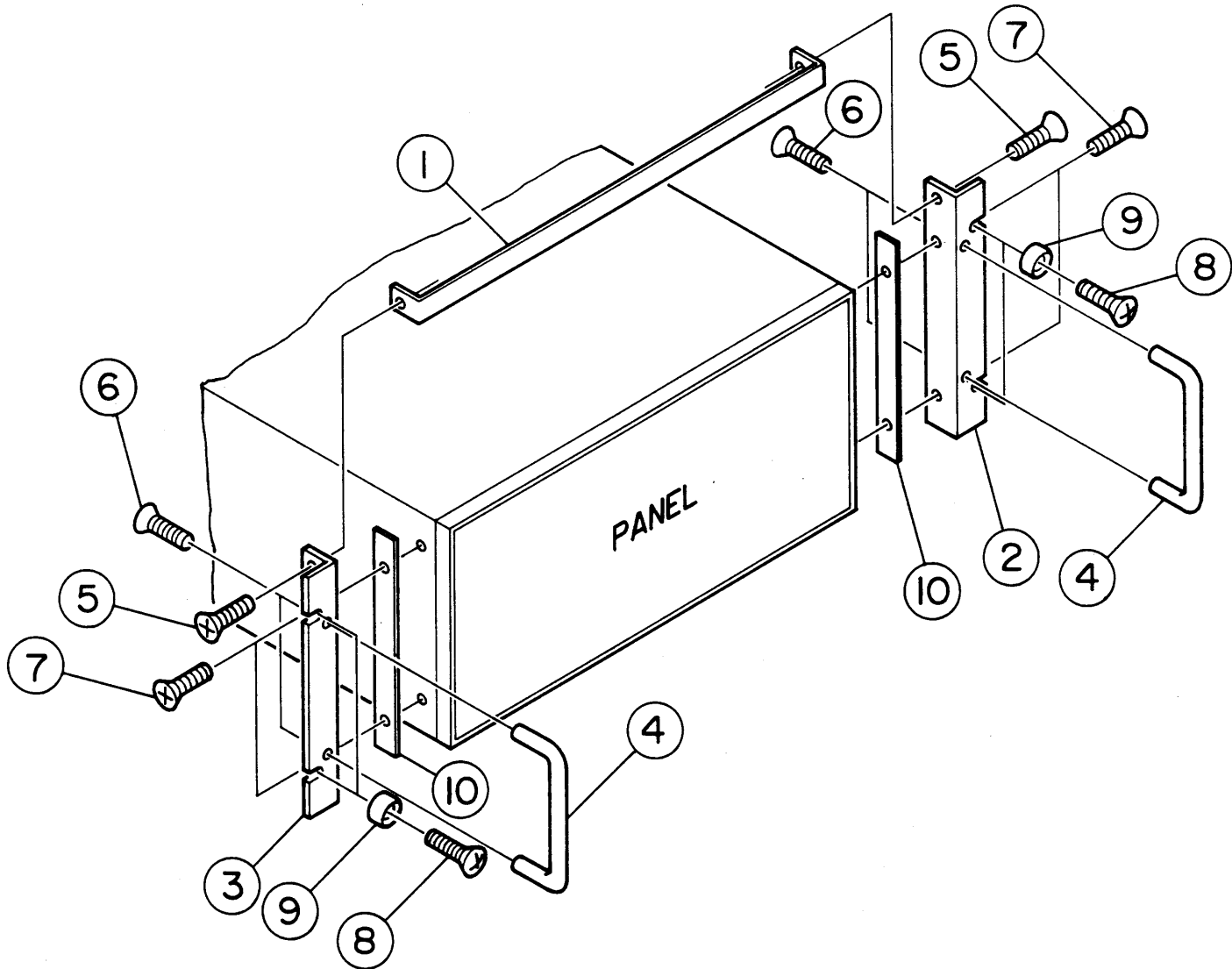


BRACKET BH5-TOS



| NO. | DESCRIPTION                     | QTY | CODE NO.   |
|-----|---------------------------------|-----|------------|
| 1   | BLANK PANEL BH5-TOS             | 1   | A8-986-501 |
| 2   | BRACKET LEFT BH5-TOS            | 1   | B9-986-501 |
| 3   | BRACKET RIGHT BH5-TOS           | 1   | B9-986-502 |
| 4   | HANDLE THA-31-SUS-F-6 CODE 3884 | 2   | E6-070-101 |
| 5   | SARA SCREW M3x0.5x8 S-ZN        | 2   | M2-001-091 |
| 6   | SARA SCREW M5x0.8x10 S-ZMC2     | 4   | M2-001-191 |
| 7   | SARA SCREW M4x0.7x12 S-ZN       | 4   | M2-001-381 |
| 8   | MARU-SARA SCREW M5x0.8x14 B-NI  | 4   | M2-002-091 |
| 9   | CUP WASHER 5 CW                 | 4   | M5-003-031 |
| 10  | SPACER BH4M-TOS                 | 2   | Q3-986-401 |